



6600 Series

Bleed Valves



HOKE 6600 Series bleed valves allow for quick, easy manual bleed-off of system pressure. These valves come in a variety of configurations, including straight, elbow, union, and tee.

Features

- Compact installation
- 316 stainless steel construction
- Straight, union, elbow or tee flow configurations
- Integral tube ends

Benefits

- Safe
- Reliable
- Gyrolok® fitting connections eliminate pipe thread leak paths

Typical Applications

- Air, hydraulic systems, or natural gas
- Venting or purging of liquids and gases
- For use on instrument manifolds

Technical Data

Body Material	316 stainless steel
Maximum Operating Pressure	6000 psig @ 70° F (414 bar @ 21° C)
Operating Temperature Range	-40° F to +600° F (-40° C to +316° C)
End Connections	¼", ⅜", ½" Gyrolok®
Average Operating Torque @ Maximum Operating Pressure	40 in-lbs

Operating Instructions

- Valve is operated by turning the bleed port nut with a wrench. Use appropriate back-up wrench to hold body, while turning bleed nut.
- As the bleed nut is turned, pressure forces the ball off the seat. Pressure is vented through a hole drilled in the nut, angled back toward the body of the valve. Make sure flow is directed away from user.
- Those using the valves should wear protective clothing, especially goggles.
- No attempt should be made to repair or dismantle the valve.

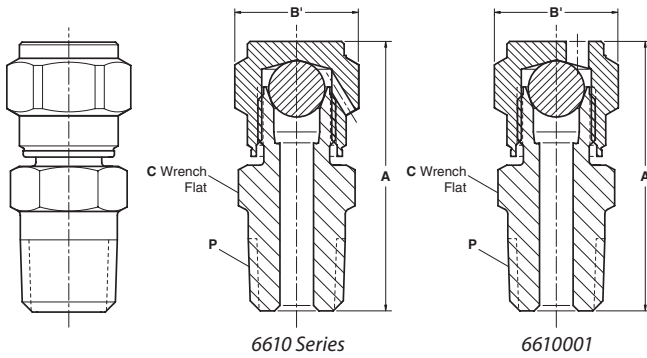
bleed valves

HOKE Incorporated

405 Centura Court • PO Box 4866 (29305) • Spartanburg, SC 29303
Phone (864) 574-7966 Fax (864) 587-5608
www.hoke.com • sales@hoke.com

6600 Series

Dimensions



6610 Series: Straight Valve

Part Number	P Thread NPT	A Open	B' Hex	C Wrench Flat
6610M2Y	1/8"	1 3/8 (35mm)	5/8"	1/2"
6610M4Y	1/4"	1 7/32 (39mm)	5/8"	5/16"
6610M6Y	3/8"	1 9/32 (40mm)	5/8"	1 1/16"
6610M8Y	1/2"	1 13/16 (46mm)	5/8"	7/8"
6610001	1/4"	1 7/32 (39mm)	5/8"	5/16"

6631 Series Directed Bleed Valves

HOKE's 6631 Bleed Valve allows the user to direct the bled fluid as desired. The valve can be ordered with a 1 1/2" (38mm) press fit handle by adding an "H" suffix to the valve part number (e.g., 6631H4YH). To operate, simply turn the 7/16" nut with a wrench or the optional loose fit stainless steel bar handle, part number 96706-103. Please consult your local distributor for details.

Caution: If the vented fluids are not going to be contained, the vent tube must be positioned at installation so that it is directed away from the operating personnel.

Technical Data

Body Material	316 stainless steel
Maximum Operating Pressure	5000 psig @ 70° F (345 bar @ 21° C)
Operating Temperature Range	-20° F to +425° F (-29° C to +218° C)
Orifice	0.125 (3.2mm)

Benefits

Safety

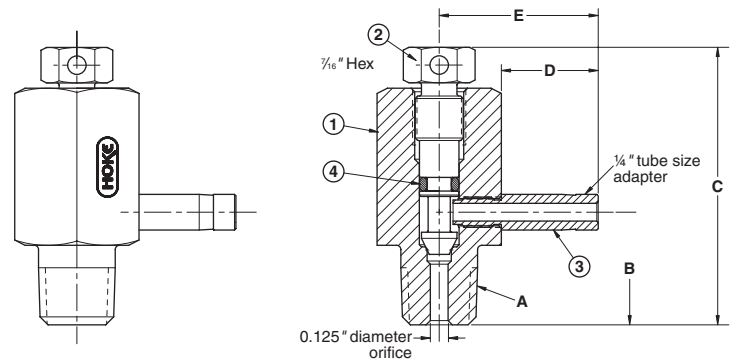
- O-ring packaging prevents leakage through stem threads

Reliability

- All valves are tested for bubble-tight leakage

Typical Applications

- Venting or purging of liquids and gases
- For use on gauge valves



Dimension Chart

Part Number	A Inlet	B	C	D	E
6631H4Y	1/4"	3/4 (19mm)	2 (51mm)	1 1/16 (17mm)	1 1/8 (29mm)
6631H84Y	1/2"	2 3/32 (23mm)	2 1/2 (54mm)	1 1/16 (17mm)	1 1/8 (29mm)

Materials of Construction

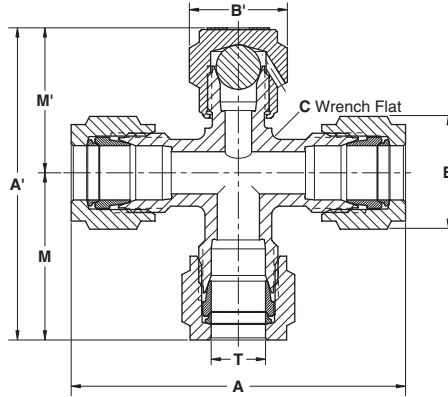
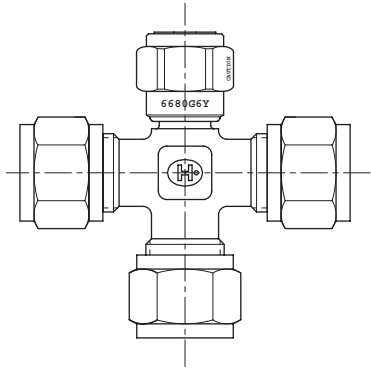
Part	Material
1 Body	316 stainless steel
2 Stem	316 stainless steel
3 Vent tube	316 stainless steel
4 O-ring	Fluoroelastomer

Gyrolok® is a registered trademark of HOKE Incorporated.

Dimensions for reference only and are subject to change without notice.

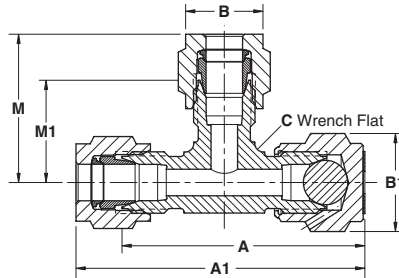
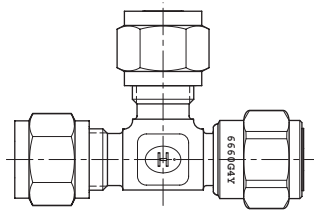
6600 Series

Dimensions



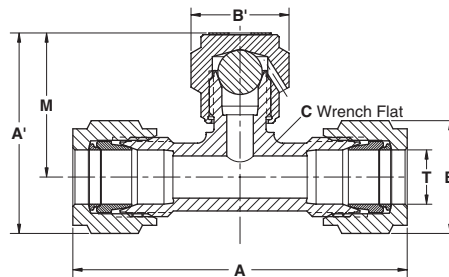
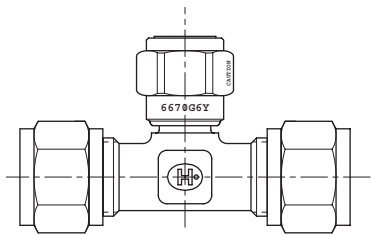
6680 Series: Tee Valve

Part Number	T Tube O.D.	A	A'	B Hex	B' Hex	C Wrench Flat	M	M'
6680G4Y	1/4"	2 3/4 (54mm)	2 3/4 (53mm)	9/16"	5/8"	7/16"	1 1/16 (27mm)	1 1/4 (27mm)
6680G6Y	3/8"	2 3/4 (60mm)	2 13/64 (52mm)	1 1/16"	5/8"	1/2"	2 3/16 (56mm)	1 1/4 (27mm)
6680G8Y	1/2"	2 5/4 (73mm)	2 13/64 (68mm)	7/8"	5/8"	1 1/16"	1 23/64 (37mm)	1 7/8 (31mm)



6660 Series: Elbow Valve

Part Number	T Tube O.D.	A	A'	B Hex	B' Hex	C Wrench Flat	M	M'
6660G4Y	1/4"	1 23/32 (45mm)	2 1/4 (52mm)	9/16"	5/8"	7/16"	1 3/4 (27mm)	2 3/32 (18mm)



6670 Series: Union Valve

Part Number	T Tube O.D.	A	A'	B Hex	B' Hex	C Wrench Flat	M
6670G4Y	1/4"	2 3/32 (53mm)	1 23/64 (35mm)	9/16"	5/8"	7/16"	1 3/4 (27mm)
6670G6Y	3/8"	2 3/4 (59mm)	1 7/16 (37mm)	1 1/16"	5/8"	1/2"	1 3/32 (28mm)
6670G8Y	1/2"	2 5/4 (73mm)	1 23/32 (42mm)	7/8"	5/8"	1 1/16"	1 3/8 (31mm)