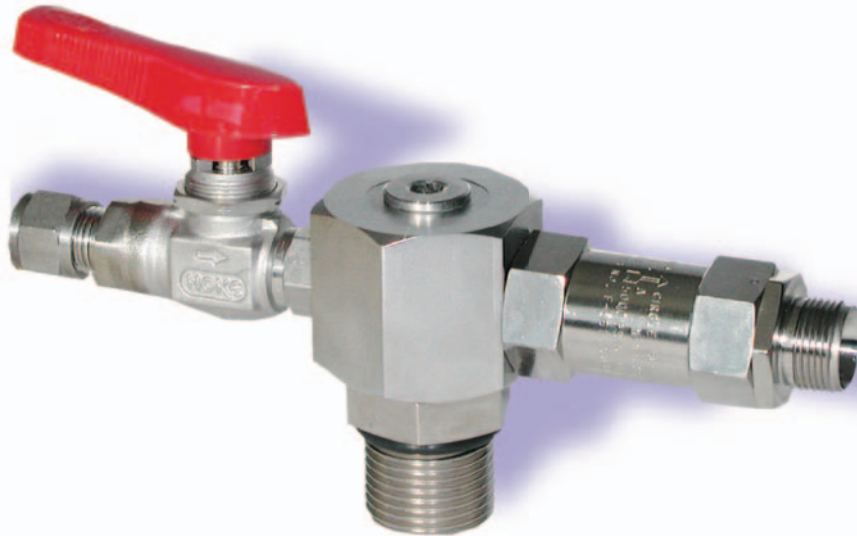




A CIRCOR International company

# TV10 Series Ball Valve

PRD Fuel Tank Manifold



## Features

- High flow—fast fill
- Integrated PRD—optional orientation
- Axially positionable ¼-turn shutoff valve
- ¼-turn on/off
- ¼-turn easily removed and replaced as needed
- On/Off indicating handle
- PRD installation options (see chart)
- Modular construction
- Fixed or positionable tank installation

## Applications

- CNG fuel tanks
- Hydrogen fuel tanks
- Compressed gas cylinders

## Technical Specifications

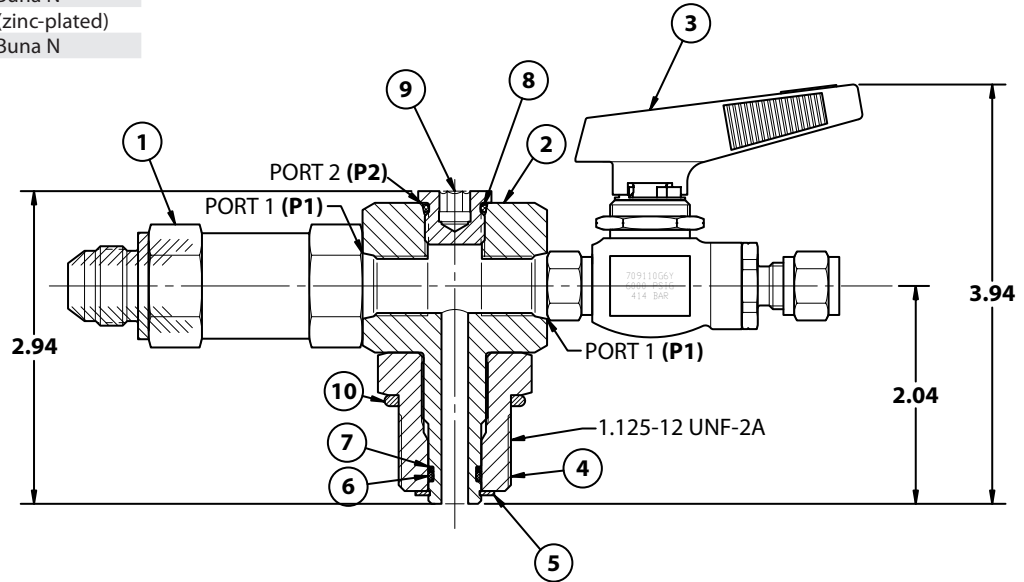
<b>OPERATING PRESSURE</b>	5,000 psig (345 BAR)
<b>PROOF PRESSURE</b>	10,000 psig (689 BAR)
<b>OPERATING TEMPERATURE</b>	-40° F to +185° F (-40° C to +85° C)
<b>LEAKAGE</b>	• Internal: zero @ operating temperature > 200° F • External: zero
<b>FLOW</b>	• PRD: 90 scfm of air @ 100 psid; Cv = 1.1 • Tank: 115 scfm of air @ 100 psid; Cv = 1.4
<b>THERMAL RELIEF (NOMINAL)</b>	219° F (104° C)

alternative fuels

# TV10 Series

## Materials of Construction

DESCRIPTION	MATERIAL
1 CSC 8100 PRD	Brass (nickel-plated)
2 Modular hub	Brass (nickel-plated)
3 HOKE Flomite® ball valve	316 stainless steel
4 Fitting	Brass (nickel-plated)
5 Snap ring	PH15-7
6 O-ring	Buna N
7 Back-up ring	Teflon®
8 O-ring	Buna N
9 Hex plug	Steel (zinc-plated)
10 O-ring	Buna N



## How to Order

**TV10 - 1 - 1**

### BASIC PART NUMBER

### PRD OUTLET OPTIONS

- 1 MS33656-6 (1/16-18 straight thread male)
- 2 MS33656-8 (3/4-16 straight thread male)
- 3 MS16142-6 (1/16-18 straight thread male)
- 4 MS16142-8 (3/4-16 straight thread male)
- 5 3/8" Gyrolok® tube
- 6 1/2" Gyrolok tube
- 7 AS4395-8 (3/4-16 straight thread male flare)

### TANK CONNECTION OPTIONS

- 1 1.125-12 UNF-2A thread
- 2 1.125-12 UNF-2A thread (positionable)

## For Your Safety

It is solely the responsibility of the system designer and user to select products suitable for their specific application requirements and to ensure proper installation, operation, and maintenance of these products. Material compatibility, product ratings and application details should be considered in the selection. Improper selection or use of products described herein can cause personal injury or property damage.

Gyrolok® and Flomite® are registered trademarks of HOKE Incorporated.  
Teflon® is a registered trademark of the DuPont Company.