

# ATKOMATIC

## 50000 Series

Stainless Steel, Direct Lift, Pressure 0 to 3000 psig (207 bar), High Temperature  
High Pressure Valve Configurable for Variety of Fluid Applications



### Features

- Designed for high temperature fluids, maximum nominal temperature rating of 750° F (399° C)
- Direct lift valve
- Barstock construction
- Mounted with coil oriented down to minimize convection heating of coil from hot media
- Flow orifices of  $\frac{1}{16}$ ",  $\frac{3}{32}$ ",  $\frac{1}{8}$ ", and  $\frac{3}{16}$ "
- Cv from 0.093 to 0.72
- Available with NPT pipe ports or welded pipe stubs as "standard" catalog items
- Normally closed and normally open versions available
- Available in pipe size from  $\frac{1}{8}$ " through 1" NPT or  $\frac{1}{8}$ " through 1" tube stubs
- Pressures up to 3000 psig (207 bar)
- Stainless steel construction on all pressure containing parts: 316 for machined parts and CF8M for cast parts.
- Plunger material is 416 stainless that is treated for increased corrosion resistance
- Will handle fluids with viscosity up to 150 SUS
- Suitable for use with wide variety of fluid including: air, gasses, liquids, hydraulic fluids, steam, cryogenic fluids, and corrosive fluids
- Stellite® seat (cobalt alloy for wear and corrosion resistance)
- Extended stem to reduce heat transfer from fluid to coil (two lengths available depending on fluid temperature)
- Class H coils are standard

### Circle Seal Controls

2301 Wardlow Circle • P.O. Box 3300 • Corona, CA 92880

Phone (951) 270-6200 Fax (951) 270-6201

www.circlesealcontrols.com • am\_sales@circlesealcontrols.com • ind\_sales@circlesealcontrols.com

atkomatic solenoid

# 50000 Series

## Operational Pressures (No minimum pressure differential)

Normally closed, extended stem, 50800–50850

ORIFICE SIZE	GASES		LIQUIDS TO 40 SUS		LIQUIDS OVER 40 SUS	
	AC	DC	AC	DC	AC	DC
1/16	2500	2500	2500	2500	2500	2500
3/32	2500	2500	2000	2000	2000	2000
1/8	1,200	1,200	900	900	900	900
3/16	500	500	350	350	350	350

Normally closed, short stem, 50900–50950

ORIFICE SIZE	GASES		LIQUIDS TO 40 SUS		LIQUIDS OVER 40 SUS	
	AC	DC	AC	DC	AC	DC
1/16	3000	3000	3000	3000	3000	3000
3/32	3000	3000	2500	2500	2500	2500
1/8	1,200	1,200	1000	1000	1000	1000
3/16	600	600	450	450	450	450

Normally open, extended stem, 50801–50851

ORIFICE SIZE	GASES		LIQUIDS TO 40 SUS		LIQUIDS OVER 40 SUS	
	AC	DC	AC	DC	AC	DC
1/16	2500	2500	2000	2000	2000	2000
3/32	1,200	1,200	1000	1000	1000	1000
1/8	400	400	350	350	350	350
3/16	250	250	150	150	150	150

Normally open, short stem, 50901–50951

ORIFICE SIZE	GASES		LIQUIDS TO 40 SUS		LIQUIDS OVER 40 SUS	
	AC	DC	AC	DC	AC	DC
1/16	3000	3000	3000	3000	3000	3000
3/32	1,600	1,600	1,200	1,200	1,200	1,200
1/8	400	400	350	350	350	350
3/16	250	250	150	150	150	150

NOTE: Normally open valves are rated for intermittent duty only on 50000 Series valves.

NOTE: Normally open 50000 Series valves are not available with 50 Hz coils for operational pressures above 1500 psi.

## Dimensions and Shipping Weights

### 50800 Series Normally Closed

(extended stem for fluid temperatures of 500° F to 750° F)

CATALOG NUM.	PIPE SIZE	X	Y	Z	SHIPPING WEIGHT (lbs)
50800	1/8"	10"	8 1/8"	4 1/16"	14
50810	1/4"	10"	8 1/8"	4 1/16"	14
50820	3/8"	10"	8 1/8"	4 1/16"	14
50830	1/2"	10"	8 1/8"	4 1/16"	14
50840	3/4"	10"	8 1/8"	4 1/16"	14
50850	1"	10"	8 1/8"	4 1/16"	14

### 50900 Series Normally Closed

(standard stem for fluid temperatures up to 500° F)

CATALOG NUM.	PIPE SIZE	X	Y	Z	SHIPPING WEIGHT (lbs)
50900	1/8"	7 1/2"	5 3/4"	4 1/16"	10
50910	1/4"	7 1/2"	5 3/4"	4 1/16"	10
50920	3/8"	7 1/2"	5 3/4"	4 1/16"	10
50930	1/2"	7 1/2"	5 3/4"	4 1/16"	10
50940	3/4"	7 1/2"	5 3/4"	4 1/16"	10
50950	1"	7 1/2"	5 3/4"	4 1/16"	10

### 50901 Series Normally Open

(standard stem for fluid temperatures up to 500° F)

CATALOG NUM.	PIPE SIZE	X	Y	Z	SHIPPING WEIGHT (lbs)
50901	1/8"	8 5/8"	6 7/8"	4 1/16"	12
50911	1/4"	8 5/8"	6 7/8"	4 1/16"	12
50921	3/8"	8 5/8"	6 7/8"	4 1/16"	12
50931	1/2"	8 5/8"	6 7/8"	4 1/16"	12
50941	3/4"	8 5/8"	6 7/8"	4 1/16"	12
50951	1"	8 5/8"	6 7/8"	4 1/16"	12

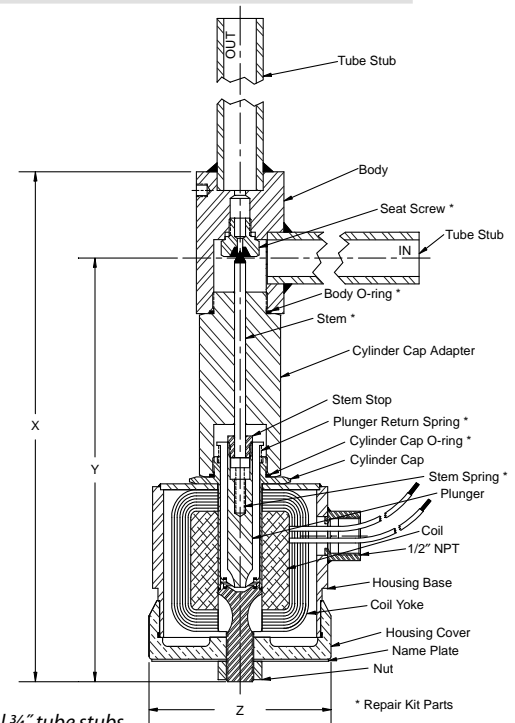
### Cv Flow Factors

ORIFICE SIZE	Cv
1/16	0.093
3/32	0.22
1/8	0.44
3/16	0.72

### 50801 Series Normally Open

(extended stem for fluid temperatures of 500° F to 750° F)

CATALOG NUM.	PIPE SIZE	X	Y	Z	SHIPPING WEIGHT (lbs)
50801	1/8"	11 1/8"	9 1/4"	4 1/16"	16
50811	1/4"	11 1/8"	9 1/4"	4 1/16"	16
50821	3/8"	11 1/8"	9 1/4"	4 1/16"	16
50831	1/2"	11 1/8"	9 1/4"	4 1/16"	16
50841	3/4"	11 1/8"	9 1/4"	4 1/16"	16
50851	1"	11 1/8"	9 1/4"	4 1/16"	16



50840 valve, shown with optional 3/4" tube stubs

\* Repair Kit Parts

# 50000 Series

## How to Order

