

# UL & CSA Listings and Approvals

## Underwriters Laboratories

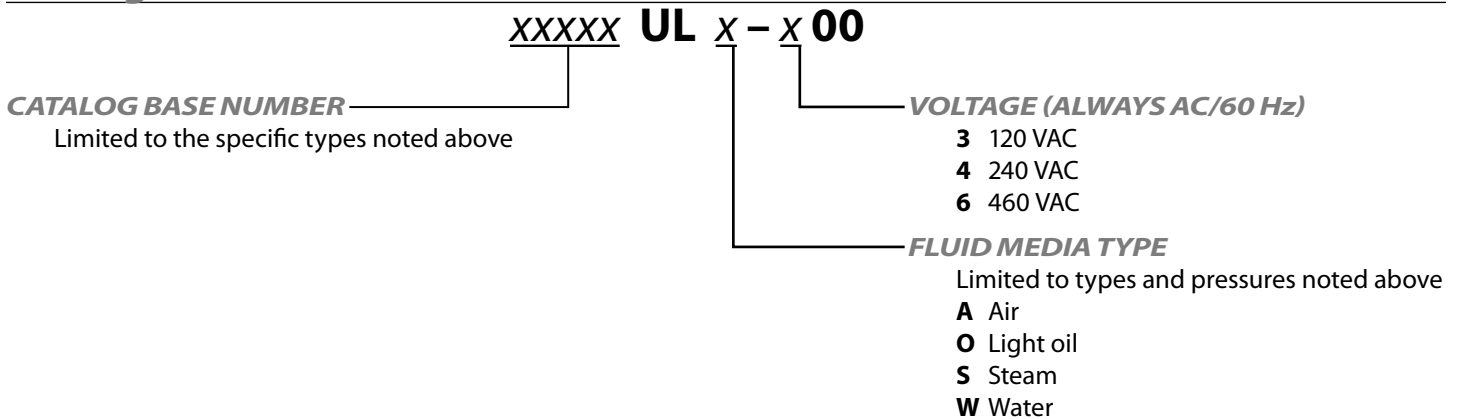
### General Purpose Catalog Valves

FILE NUMBER	CATALOG BASE NO.	SIZE	FLUID, PRESSURE, VOLTAGE (SAME FOR ALL OF GROUP)
<b>4000 &amp; 5000 SERIES GROUP</b>			
MH11913	4008	¼" NPT	Air, water, oil: 5 to 500 psig, fluid temp. to 66° C (151° F) (5 to 300 psig for 5708) Saturated steam: 5 to 200 psig Voltages: 120 VAC, 60 Hz; 240 VAC, 60 Hz; 480 VAC, 60 Hz Ambient temperature: 25° C (77° F)
	4108	⅜" NPT	
	4208	½" NPT	
	4308	¾" NPT	
	4408	1" NPT	
	4508	1¼" NPT	
	4608	1½" NPT	
5708	2" NPT		
<b>15000 SERIES</b>			
MH11913	15408	¼" NPT	Air, water, oil: 0 to 300 psig, fluid temp. to 66° C (151° F) Saturated steam: 0 to 125 psig Voltages: 120 VAC, 60 Hz; 240 VAC, 60 Hz; 480 VAC, 60 Hz Ambient temperature: 25° C (77° F)
	15418	⅜" NPT	
	15428	½" NPT	
	15438	¾" NPT	
	15448	1" NPT	

### Specific Usage Project Valve

FILE NUMBER	PROJECT VALVE MODEL NUMBER	FLUID, PRESSURE, VOLTAGE (SAME FOR ALL OF GROUP)
E104727	31820-436	Class I, Group B hazardous locations, General Purpose <i>Liquid hydrogen: 0 to 250 psig</i> <i>Fluid temperature: -252° C (-422° F)</i> <i>Voltage: 115 VAC, 60 Hz</i> <i>Ambient temperature: -40° to +40° C (-40° F to 104° F)</i>

### Catalog Numbers for UL Listed Valves



### Canadian Standards Association

REPORT NUMBER	PROJECT VALVE MODEL NUMBER	FLUID, PRESSURE, VOLTAGE (SAME FOR ALL OF GROUP)
LR80415-3	35871-691	Natural gas, 2" flanges, 400 to 600 psig, 24 VDC, 40° C (104° F) ambient
	31830-706	Oil, ¾" NPT, 0 to 100 psig, 24 VDC, 40° C (104° F) ambient
	31861-697	Oil, 1½" NPT, 0 to 1,000 psig, 24 VDC, 40° C (104° F) ambient
	32820-714	Natural gas, ½" NPT, 0 to 1,500 psig, 24 VDC, 40° C (104° F) ambient
	2100-707	Natural gas, ¼" NPT, 0 to 1,000 psig, 24 VDC, 40° C (104° F) ambient
	35840-937	#2 Diesel, 1" Flanges, 0 to 950 psig, 24 VDC, 60° C (104° F) ambient All are class 3228 01 for Hazardous Locations Class I, Group D, General Purpose Valves

In addition to these CSA approvals on specific valves, Special Acceptances from CSA are available on the explosion-proof coil housing assemblies using 24 VDC coils only on the following series of valves:

- 13000 ¼" through ½", distributor, normally open, and normally closed, stainless
- 30400 ¼" through 3" N.C. and ¼" through 1½" N.O., bronze
- 30800 ¼" through 2" N.C. and ¼" through 1½" N.O., stainless
- 35800 ¾" through 3", normally open and closed, stainless
- 40800 ¼" through 1½", normally open and closed, stainless
- 50000 ⅛" through 1", normally open and closed (formally 13800 & 13900), stainless