

# ATKOMATIC

## HS Series

Bronze, Pilot-piston, Pressure 5 to 125 psig (0.4 to 9 bar)  
Steam or Hot Water Value



### Features

- Pressures to 125 psig (9 bar) saturated steam temperature of 352° F (178° C)
- Pipe sizes from ¼" through 1½" (British BSPT ports available)
- Full ported valves: Cv from 1.4 to 21
- Pilot operated: require a minimum pressure differential of 5 psig (0.4 bar)
- Bronze valve material (naval M Bronze)
- Metal to metal pilot seat, Teflon® piston seat and Teflon® body o-ring seal
- Class H coil is standard
- Treated 416 stainless steel plunger material for increased corrosion resistance
- No other options available

### Operational Pressures (5 psid minimum pressure differential)

| LIQUIDS TO 40 SUS |     | STEAM |     |
|-------------------|-----|-------|-----|
| AC                | DC  | AC    | DC  |
| 125               | 125 | 125   | 125 |

### Circle Seal Controls

2301 Wardlow Circle • P.O. Box 3300 • Corona, CA 92880

Phone (951) 270-6200 Fax (951) 270-6201

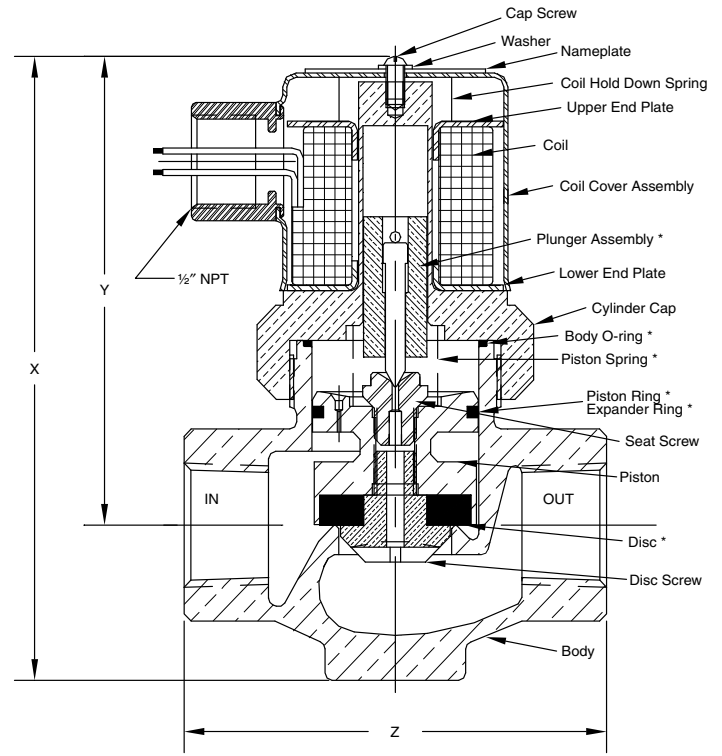
www.circlesealcontrols.com • am\_sales@circlesealcontrols.com • ind\_sales@circlesealcontrols.com

atkomatic solenoid

# HS Series

## Dimensions, Shipping Weights, and Cv Flow Factors

| CATALOG NUM. PREFIX | PIPE SIZE | MAIN SEAT ORIFICE DIA. | X      | Y      | Z       | SHIPPING WEIGHT (lbs) | Cv   |
|---------------------|-----------|------------------------|--------|--------|---------|-----------------------|------|
| HS200               | 1/4"      | 1/2"                   | 4 3/4" | 3 7/8" | 2 1/16" | 3                     | 1.4  |
| HS300               | 3/8"      | 1/2"                   | 4 3/4" | 3 7/8" | 2 1/16" | 3                     | 2.7  |
| HS400               | 1/2"      | 1/2"                   | 4 3/4" | 3 7/8" | 3"      | 4                     | 3.5  |
| HS500               | 3/4"      | 1"                     | 5 1/4" | 4"     | 3 3/4"  | 5                     | 7.5  |
| HS600               | 1"        | 1"                     | 5 1/4" | 4"     | 3 3/4"  | 5                     | 9.1  |
| HS700               | 1 1/4"    | 1 1/2"                 | 7"     | 5 7/8" | 5 1/16" | 13                    | 19.5 |
| HS800               | 1 1/2"    | 1 1/2"                 | 7"     | 5 7/8" | 5 1/16" | 13                    | 21.0 |



\* Repair kit parts

## How to Order

HS *x* 00 - *x* *x* *x*

### PIPE THREAD SIZES

- |        |          |
|--------|----------|
| 2 1/4" | 6 1"     |
| 3 3/8" | 7 1 1/4" |
| 4 1/2" | 8 1 1/2" |
| 5 3/4" |          |

### VOLTAGE AC

- |              |              |
|--------------|--------------|
| 0 DC voltage | 5 230-60 VAC |
| 1 24-60 VAC  | 6 460-60 VAC |
| 2 100-60 VAC | 7 110-50 VAC |
| 3 115-60 VAC | 8 220-50 VAC |
| 4 200-60 VAC | 9 380-50 VAC |

### CONNECTION TYPE

- P NPT
- J British pipe thread

### VOLTAGE DC

- 0 AC voltage
- 1 12 VDC
- 2 24 & 32 VDC
- 3 48 VDC
- 4 100 VDC
- 5 125 VDC
- 6 250 VDC